

SPECIFICATION SHEET

PRODUCT # : CL-350

• Step Light

• Steel

Fixture Specifications:

Housing: White powder coated steel mountbox with S.C Bayonet socket.

Faceplate: Stamped steel available in **CU**- Copper plated, **PB**-Polish Brass Plated, **SI**-Silver Plated, polyester UV powder coated in **BK**-Black, **BZ**-Bronze, **WH**-White, all with silicone gasket.

Lens: Clear polycarbonate lens.
Lenses are sealed and secured to faceplates

Socket: Top grade fixed SC bayonet socket

Lamp: 12 volt, S.C Bayonet 18W Max. L-SCB-1141 (18W) standard. LED lamps available in 2W and 2.5W, with 2700K-warm white or 3000K-cool white color temperature. Xenon and halogen lamps also available.

Wiring: Fixture comes prewired with a 12 inch direct burial cord. Wire connector is sold separately. Silicone filled wire nut (**CX-854**) may be ordered to Corona Lighting.

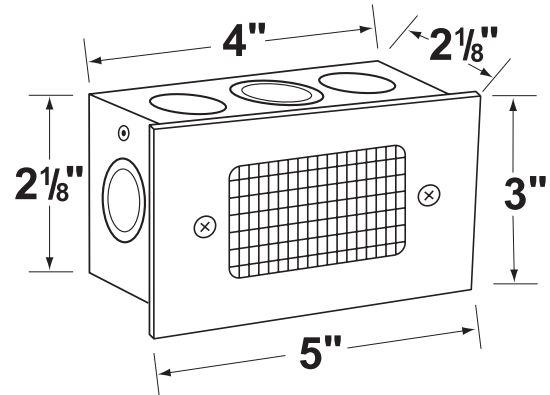
Mounting: Recessed box to mount into concrete, brick or Masonry. Outdoor use only.

Electrical Notes: A remote 12V transformer is required. Options are available from Corona Lighting.
Voltage range for 12V halogen lamps are 11V-12.5V
Voltage range for LED lamps are 10V-18V.

Warranty: One year warranty on fixture housing and faceplate against manufacturer's defects.



BK- Black finish shown



AVAILABLE LED LAMPS (Corona LED lamps have a five (5) year limited warranty against manufacturer's defects)

LAMP NUMBER	WATTS	BEAM		COLOR & TEMP.	RATED HOURS	HALOGEN EQUIVALENT
		SPREAD	LUMEN			
L-EDBA-2W	2	360°	200	2700K	25,000	20 Watt
L-EDBA-2.5W	2.5	180°	240	2700K	25,000	35 Watt
L-EDBA-2W-3K	2	360°	210	3000K	25,000	20 Watt
L-EDBA-2.5W-3K	2.5	180°	260	3000K	25,000	35 Watt

FACEPLATE ONLY

CX-866 Steel lensed faceplate, Available in **BK**- Black, **BZ**- Bronze, **WH**- White

MOUNT BACK BOX

CX-731B Steel box with a 18W #1141 S.C. bayonet lamp.
 CX-731B-X Steel box with a 10W/20W S.C. bayonet base Xenon 10,000 HR lamps.
 CX-731B-H Steel box with a 10W/20W S.C. bayonet base T3 halogen lamp.
 CX-731B-L Steel box with a 2W/2.5W S.C. bayonet base LED lamp (see above)

JOB INFORMATION

TYPE: DATE:

JOB NAME & ADDRESS:

PRODUCT #:

TOTAL QUANTITY:

LAMP TYPE & WATTAGE:

TRANSFORMER:

CONTRACTOR:

SPECIFIER:

• When ordering a halogen or xenon lamp add lamp number to the end of the product number. If you are ordering LED lamps you should follow the format below:

• **CL** - **product #** - **color** - **lamp** - **wattage**
 CL - 350 - BK - L-EDBA - 2W-3K

Example: CL-350-BK-L-EDBA-2W-3K

• Corona Lighting reserves the right to make any change and/or improvement to the design and construction of this fixture without further notification.