

INSTALLATION FOR WALLS, WOOD DECKS AND STEPS:

NOTE: To prevent electrical shock, disconnect transformer from electrical supply before installation or service.

1. Using back box as a template, mark the location of the fixture on the wall or vertical surface.
2. Cut a hole in wall or vertical surface to insert back box.
3. Insert back box into hole and secure using two wood screws provided or plastic wall anchors for brick, block, stone or concrete applications.
- 3a. Remove light bulb and reflector.
4. Bring 18/2 black wire into back box through one of eight 1/2" KO's on back box.
5. Using the two (2) blue wirenut connectors (provided), connect the wire leads from behind the reflector to the 18-2 3' black lead wire (provided) exiting the SL-04/SL-24 Step Light.
6. Install reflector and lamp. Push the reflector as far back into the back box as possible.

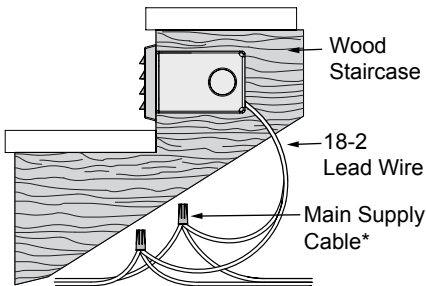
IMPORTANT: If lens is used, light bulbs must be as far away from lens as possible to prevent lens from deforming or melting.

7. Install cover plate and tighten supplied screws with Phillips #2 screwdriver.
8. Connect 18/2 black fixture wire to main 12/2, 10/2, 8/2 using approved gel filled direct burial wire nuts.
9. Turn on 12v power and check for light output.

LAMP INSTALLATION/REPLACEMENT

1. Turn off power.
2. Loosen cover screws with Phillips #2 screwdriver and remove cover.
3. Replace lamp with correct type and wattage marked on fixture label.
4. Reinstall cover and tighten screws with Phillips #2 screwdriver.

CAUTION: Do not exceed maximum wattage marked on fixture label.



SL-04, SL-04-AL, SL-04-3L Back Box

INSTALLATION FOR NEW MASONRY CONCRETE OR STUCCO WALLS:

Note: For concrete pour (wet) applications a conduit connection is required. We recommend a UL listed flexible conduit (supplied by others) for easier positioning and adjustment during installation.

1. Remove reflector and lamp from back box. Remove 1/2" knockout from the side, bottom or back of the back box.
2. Using standard masonry procedures as dictated by local code, build wood support frame and secure back box to support frame using two wood screws provided.
3. Connect conduit to back box using approved connector and lock nut. Pull 12V supply wire through and into back box. Use correct wire nuts (not provided) for main to fixture connection.
4. Cover opening of back box with cardboard or other material and seal any open knockouts before concrete pour.
5. Pour concrete according to standard masonry procedures and local codes.
6. Using the two (2) blue wirenut connectors (provided), connect the wire leads from behind the reflector to the 18-2 3' black lead wire (provided) exiting the SL-04/SL-24 Step Light.
7. Install reflector and lamp. Push the reflector as far back into the back box as possible.

IMPORTANT: If lens is used, light bulbs must be as far away from lens as possible to prevent lens from deforming or melting.

8. Turn on 12V power and check for light output.
9. Install cover plate and tighten supplied screws with Phillips #2 screwdriver.
10. Turn on 12v power and check for light output.

IMPORTANT SAFETY INSTRUCTIONS TO REDUCE THE RISK OF FIRE AND INJURY TO PERSONS:

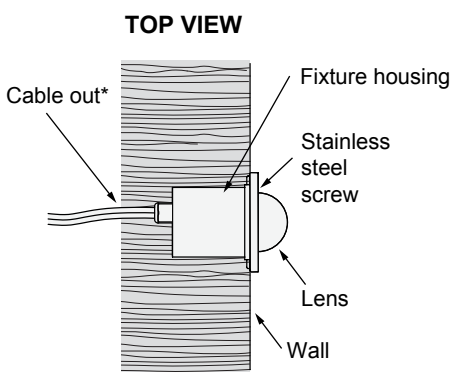
1. Lamp gets hot quickly; turn off, unplug/disconnect and allow to cool down before replacing the light bulb.
2. **DO NOT** touch hot lens, use guard or enclosure.
3. **DO NOT** look into lamp when on.
4. Keep lamp away from materials that may burn.
5. Use only with wattage/lamp marked on fixture warning and instructions.
6. Use the correct light bulb base with the correct socket.
7. **DO NOT** touch lamp at anytime. Use a lint-free cloth when handling the Halogen light bulbs as oil from skin may damage lamp and shorten lamp life.
8. **DO NOT** operate fixture with missing or damaged shield or lens.



SL-24 Back Box



SL-24



* 18/2 Black wire, conduit or PVC cable.