

SPECIFICATION SHEET

PRODUCT # : CL-318B-AB

• Well Lights

• Cast Brass Face Plate

Fixture Specifications:

Housing: Injected molded composite for high UV stability.

Face Plate: Diecast brass, fitted to housing with silicone "O" ring gasket.

Face Plate Finish : **AB- Antique Bronze.**
Natural toning process. AB finish will vary due to artistic process.

Lens: Clear and heat resistant flat glass.

Socket: Top grade adjustable ceramic bi-pin socket with retention clip and teflon-jacketed wire lead.

Lamp: 12V, MR-16 halogen, 50W max. L-BAB-C20 (20w) standard. See below for available LED lamps.

Gasket: Silicone "O" ring seals faceplate to housing

Wiring:

Fixture is prewired with a 3-ft 18-2 SJT-W direct burial cord. Wire connector available separately. Gel filled wire nut CX-854 may be ordered to Corona Lighting.

Mounting:

In-ground direct burial or concrete encasement.

Electrical Notes:

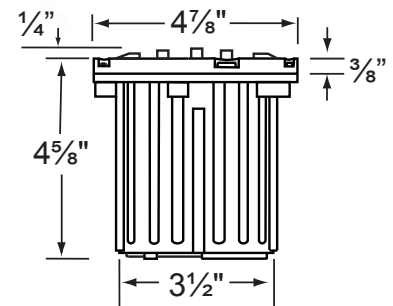
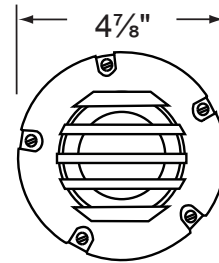
A remote 12V transformer required, may be ordered to Corona Lighting separately. Voltage range for 12V halogen lamps are 11V-12.5V Voltage range for LED lamps are 9V-17V.

Warranty:

Limited lifetime warranty on fixture Brass face plate and ten (10) years on housing against manufacturer's defects.



Fixture socket tilts for ± 25°



3.5W and 5W

AVAILABLE LED LAMPS (Corona LED lamps have a five (5) year limited warranty against manufacturer's defects)

LAMP NUMBER	WATTS	BEAM		COLOR & TEMP.	RATED HOURS	HALOGEN EQUIVALENT
		SPREAD	LUMEN			
L-EDCOB5W-SP	5	15° Spot	450	2700K	50,000	50 Watt
L-EDCOB5W-FL	5	38° Flood	450	2700K	50,000	50 Watt
L-EDCOB5W-WF	5	60° Wide Flood	450	2700K	50,000	50 Watt
L-EDCOB5W-SP3K	5	15° Spot	470	3000K	50,000	50 Watt
L-EDCOB5W-FL3K	5	38° Flood	470	3000K	50,000	50 Watt
L-EDCOB5W-WF3K	5	60° Wide Flood	470	3000K	50,000	50 Watt
L-ED16-3W-FL	3.5	45° Flood	270	2700K	50,000	25 Watt
L-ED16-5W-FL	5	45° Flood	350	2700K	50,000	40 Watt
• COB means Chip on Board						
L-ED16-CR3W-SP	3.5	15° Spot	210	2700K	50,000	20 Watt
L-ED16-CR3W-FL	3.5	45° Flood	210	2700K	50,000	20 Watt
L-ED16-CR3W-WF	3.5	60° Wide Flood	210	2700K	50,000	20 Watt
L-ED16-CR5W-SP	5	15° Spot	270	2700K	50,000	35 Watt
L-ED16-CR5W-FL	5	45° Flood	270	2700K	50,000	35 Watt
L-ED16-CR5W-WF	5	60° Wide Flood	270	2700K	50,000	35 Watt
• CR shows CREE Brand						

JOB INFORMATION

TYPE: _____ DATE: _____

JOB NAME & ADDRESS: _____

PRODUCT #:

TOTAL QUANTITY:

LAMP TYPE & WATTAGE:

TRANSFORMER:

CONTRACTOR:

SPECIFIER:

• When ordering LED lamp with a fixture your part number should follow the format below:

• **CL** - **product #** - **lamp** - **wattage** - **lamp angle** Example: CL-318B-AB-L-ED16-5W-FL
CL - 318B-AB - L-ED16 - 5W - FL

• Corona Lighting reserves the right to make any change and/or improvement to the design and construction of this fixture without further notification.