



WWW.CORONALIGHTING.COM

VALUE GRADE SERIES

1633 Staunton Ave  
Los Angeles, CA 90021

TEL. FAX.

(800) 727-9262 (800) 727-9957  
(213) 747-4500 (213) 747-3234

# SPECIFICATION SHEET

E-Mail: sales@coronalighting.com

## PRODUCT # : CL-331-BK

• Well Lights

• Aluminum

### Fixture Specifications:

**Housing:** Die cast aluminum adjustable fixture, suspended inside areversible PVC sleeve with both flat and angle-cut options on either end.

**Finish :** Polyester UV powder coated, in **BK-Black**. Also available in **BR- Natural Brass**, and Composite housing in **NM- Black** finish. PVC sleeve available in Black only.

**Faceplate :** None.  
For drive-over protection up to 3,000 lbs, the optional brass louver faceplate (**CX-880-AB**) is sold seperately.

**Lens:** Clear, tempered and heat resistant convex glass. Extra flat lens included.

**Socket:** Top grade ceramic bi-pin socket with retention clip.

**Lamp:** 12V, MR-16 halogen 20W max. L-BAB-C20 (20w) standard. LED lamps are also available. See lamp guide, below for more information.

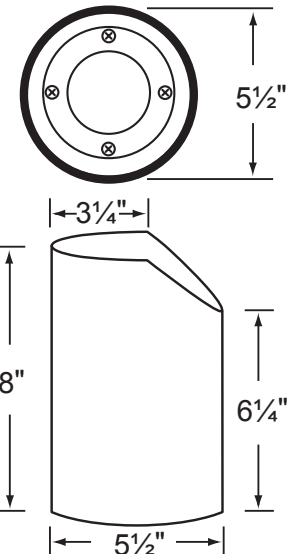
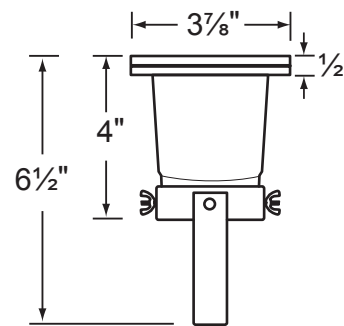
**Gasket:** Silicone "O" ring seals faceplate to housing providing weather tight protection.

**Wiring:** Fixture is prewired with a 3ft 18-2 SJT-W direct burial cord. Wire connector sold seperately. Silicone filled wire nut (**CX-854**) is available from Corona Lighting.

**Mounting:** In-ground direct burial or concrete encasement. Use gravel for proper drainage. Angle cut end required when installed 3" above the ground surface.

**Electrical Notes:** A remote 12V transformer required, may be ordered to Corona Lighting seperately. Voltage range for 12V halogen lamps are 11V-12.5V Voltage range for LED lamps are 9V-17V.

**Warranty:** Limited one (1) year warranty on composite fixture against manufacturer's defects.



3.5W and 5W

### AVAILABLE LED LAMPS (Corona LED lamps have a five (5) year limited warranty against manufacturer's defects)

LAMP NUMBER	WATTS	BEAM		COLOR & TEMP.	RATED HOURS	HALOGEN EQUIVALENT
		SPREAD	LUMEN			
L-ED16-COB5W-SP	5	15° Spot	450	2700K	50,000	50 Watt
L-ED16-COB5W-FL	5	38° Flood	450	2700K	50,000	50 Watt
L-ED16-COB5W-WF	5	60° Wide Flood	450	2700K	50,000	50 Watt
L-ED16-COB5W-SP3K	5	15° Spot	470	3000K	50,000	50 Watt
L-ED16-COB5W-FL3K	5	38° Flood	470	3000K	50,000	50 Watt
L-ED16-COB5W-WF3K	5	60° Wide Flood	470	3000K	50,000	50 Watt
L-ED16-3W-SP	3.5	15° Spot	270	2700K	50,000	25 Watt
L-ED16-3W-FL	3.5	45° Flood	270	2700K	50,000	25 Watt
L-ED16-3W-WF	3.5	60° Wide Flood	270	2700K	50,000	25 Watt
L-ED16-5W-SP	5	15° Spot	350	2700K	50,000	40 Watt
L-ED16-5W-FL	5	45° Flood	350	2700K	50,000	40 Watt
L-ED16-5W-WF	5	60° Wide Flood	350	2700K	50,000	40 Watt

For more additional Lamps, and accessories visit [Coronalighting.com](http://Coronalighting.com)

### JOB INFORMATION

TYPE: \_\_\_\_\_ DATE: \_\_\_\_\_

JOB NAME & ADDRESS: \_\_\_\_\_

PRODUCT #: \_\_\_\_\_

TOTAL QUANTITY: \_\_\_\_\_

LAMP TYPE & WATTAGE: \_\_\_\_\_

TRANSFORMER: \_\_\_\_\_

CONTRACTOR: \_\_\_\_\_

SPECIFIER: \_\_\_\_\_

• When ordering LED lamp with a fixture your part number should follow the format below:

• **CL** - **product #** - **lamp** - **wattage** - **lamp angle**

**CL - 331-BK - L-ED16 - 5W - FL**

Example: CL-331-BK-L-ED16-5W-FL

• Corona Lighting reserves the right to make any change and/or improvement to the design and construction of this fixture without further notification.