

SPECIFICATION SHEET

PRODUCT # : CL-509

• Directional Lights

• Aluminum

Fixture Specifications:

Housing: Die-cast aluminum.

Finish: Polyester UV powder coated available in **BK- Black**, **BZ- Bronze**, and **VG- Verde Green**.

Lens: Clear, tempered and heat resistant glass.

Socket: Top grade fixed ceramic bi-pin socket.

Lamp: 12V, T3 halogen, 35W max. L-20T3 (20w) standard. LED lamps available in 2W and 2.5W, with 2700K-warm white or 3000K-cool white color temperature. Xenon and halogen lamps also available.

Wiring: Fixture is prewired with a 3ft 18-2 SPT2-W direct burial cord. Wire connector sold separately. Universal connector (**CX-839**) or silicone filled wire nut (**CX-854**) is available from Corona Lighting.

Gasket: Silicone gasket for weather-tight sealing.

Knuckle: Adjustable die-cast aluminum knuckle with wing screw design. 1/2" NPT hub on bottom.

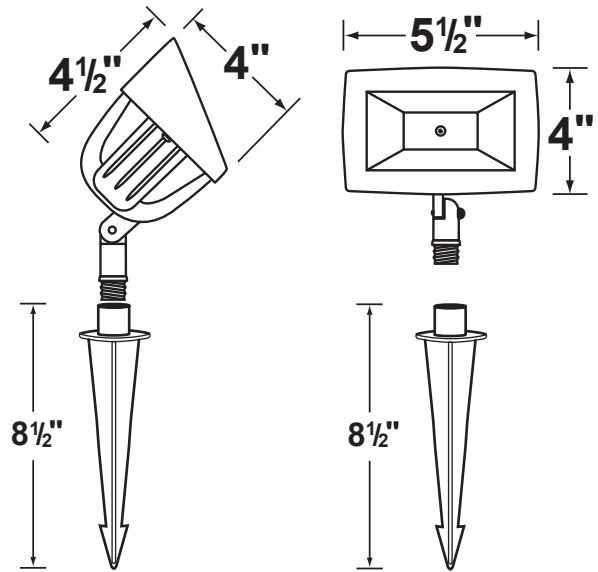
Mounting Spike: 8 1/2" Black ABS spike with 1/2" NPT threaded male hub.

Electrical Notes: A remote 12V transformer required, may be ordered to Corona Lighting separately. Voltage range for 12V halogen lamps are 11V-12.5V Voltage range for LED lamps are 8V-21V. Proper grease/lubricant is suggested on threaded parts during installation process.

Warranty: One (1) year warranty on fixture and housing against manufacturer's defects.



BZ- Bronze finish shown



AVAILABLE LED LAMPS (Corona LED lamps have a five (5) year limited warranty against manufacturer's defects)

LAMP NUMBER	WATTS	BEAM		COLOR & TEMP.	RATED HOURS	HALOGEN EQUIVALENT
		SPREAD	LUMEN			
L-EDT3-2W	2	360°	200	2700K	25,000	20 Watt
L-EDT3-2.5W	2.5	180°	240	2700K	25,000	35 Watt
L-EDT3-2W-3K	2	360°	210	3000K	25,000	20 Watt
L-EDT3-2.5W-3K	2.5	180°	250	3000K	25,000	35 Watt
L-EDT3-AM	2	360°	170	2000K	25,000	20 Watt

AVAILABLE HALOGEN LAMPS

LAMP NUMBER	WATTS	BEAM		COLOR & TEMP.	RATED HOURS
		SPREAD	LUMEN		
L-10T3	10		120	2950K	2,000
L-20T3	20		300	2950K	2,000
L-10T3/SC	10		120	2950K	2,000
L-10T3/SC	20		300	2950K	2,000

• AM- Amber color

For more additional Lamps, and accessories visit Coronalighting.com

JOB INFORMATION

TYPE: DATE:

JOB NAME & ADDRESS:

PRODUCT #:

TOTAL QUANTITY:

LAMP TYPE & WATTAGE:

TRANSFORMER:

CONTRACTOR:

SPECIFIER:

• When ordering a halogen or xenon lamp add lamp number to the end of the product number. If you are ordering LED lamps you should follow the format below:

• CL - product # - color - lamp - wattage
CL - 509 - BZ - L-EDT3 - 2W-3K

Example: CL-509-BZ-L-EDT3-2W-3K

• Corona Lighting reserves the right to make any change and/or improvement to the design and construction of this fixture without further notification.