

SPECIFICATION SHEET

PRODUCT # : CL-504

• Directional Lights

• Aluminum

Fixture Specifications:

Housing: Aluminum

Finish: Polyester UV Powder coated, available in **BK-Black**, **BZ-Bronze**, **VG-Verde Green**.

Lens: Clear, tempered, and heat resistant glass.

Socket: Top grade fixed ceramic bi-pin socket, with lamp retention clip to securely hold lamp in place.

Lamp: 12V, MR-11 halogen 35W max. Standard L-FTB-20 (20w). 3W lamp LED lamp also available. See lamp guide below for more information.

Wiring: Fixture is prewired with a 3ft 18-2 SPT2-W direct burial cord. Wire connector sold separately. Universal connector (**CX-839**) or silicone filled wire nut (**CX-854**) is available from Corona Lighting.

Gasket: Silicone gasket for water tight sealing.

Knuckle: Adjustable die-cast aluminum knuckle with philips screw and 1/2" NPT threaded male hub on bottom.

Mounting Spike: 6" aluminum spike with 1/2" NPT threaded female hub

Electrical Notes: A remote 12V transformer is required. Options are available from Corona Lighting. Voltage range for halogen and LED lamps is 11-12.5V. Proper grease/lubricant is suggested on threaded parts during installation process.

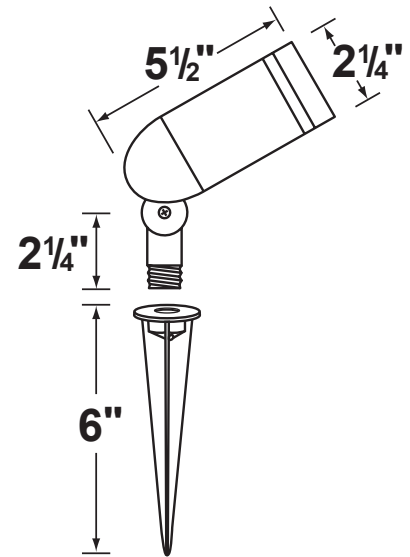
Warranty: One (1) year warranty on fixture housing against manufacturer's defects.



BK- Black Finish Shown.



3W



AVAILABLE LED LAMPS (Corona LED lamps have a five (5) year limited warranty against manufacturer's defects)

LAMP NUMBER	WATTS	BEAM		COLOR & TEMP.	RATED HOURS	HALOGEN EQUIVALENT
		SPREAD	LUMEN			
L-ED11-3W	3	40° FL	220	2700K	40,000	35 Watt

AVAILABLE HALOGEN LAMPS, Clear

LAMP NUMBER	WATTS	BEAM		COLOR & TEMP.	RATED HOURS
		SPREAD	LUMEN		
L-FTB-20	20	10° NSP	500	3000K	2,000
L-FTH-35	35	30° FL	900	3000K	2,000

AVAILABLE HALOGEN LAMPS, Front Glass

LAMP NUMBER	WATTS	BEAM		COLOR & TEMP.	RATED HOURS
		SPREAD	LUMEN		
L-FTB-C20	20	10° NSP	460	3000K	2,000
L-FTH-C35	35	36° FL	1000	3000K	2,000

JOB INFORMATION

TYPE: DATE:

JOB NAME & ADDRESS:

PRODUCT #:

TOTAL QUANTITY:

LAMP TYPE & WATTAGE:

TRANSFORMER:

CONTRACTOR:

SPECIFIER:

• When ordering a halogen or xenon lamp add lamp number to the end of the product number. If you are ordering LED lamps you should follow the format below:

• CL - **product #** - **color** - **lamp** - **wattage**
CL - 504 - BZ - L-ED11 - 3W

Example: CL-504-BZ-L-ED11-3W

• Corona Lighting reserves the right to make any change and/or improvement to the design and construction of this fixture without further notification.