

SPECIFICATION SHEET

PRODUCT # : CL-500

• Directional Lights

• Aluminum

Fixture Specifications:

Housing: Die-Cast Aluminum.

Finish: Polyester UV powder coated, available in: **GR- Green**, **RT- Rust**, **VG- Verde Green**, **(BK, BZ, and WH discontinued)**.

Lens: Clear, tempered and heat resistant glass with silicone gasket.

Socket: Top grade loose bi-pin socket

Lamp: 12V, MR-16 halogen 35W max. L-BAB-C20 (20w) standard. LED lamps are also available. See lamp guide, below for more information.

Wiring: Fixture is prewired with a 3ft 18-2 SPT2-W direct burial cord. Wire connector sold separately. Universal connector (**CX-839**) or silicone filled wire nut (**CX-854**) is available from Corona Lighting.

Gasket: Silicone gasket providing weather tight protection.

Knuckle: Adjustable die-cast aluminum knuckle with thumb screw and 1/2" NPT threaded male hub on bottom.

Mounting Spike: Black 6" aluminum mounting spike with 1/2" NPT

Electrical Notes: A remote 12V transformer is required. Options are available from Corona Lighting. Voltage range for 12V halogen lamps are 11V-12.5V Voltage range for LED lamps are 10V-17V. Proper grease/lubricant is suggested on threaded parts during installation process.

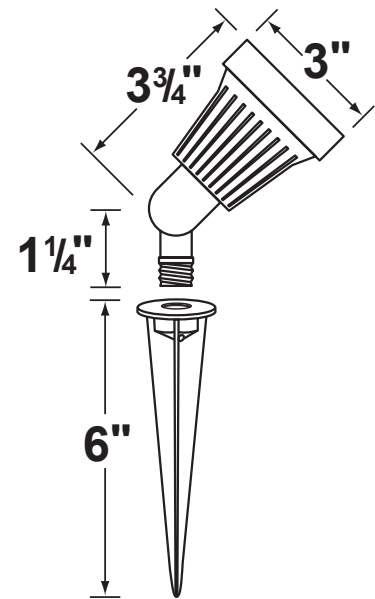
Warranty: One (1) year warranty on fixture housing against manufacturer's defects.



BK FINISH SHOWN



3.5W and 5W



AVAILABLE LED LAMPS (Corona LED lamps have a five (5) year limited warranty against manufacturer's defects)

LAMP NUMBER	WATTS	BEAM		COLOR & TEMP.	RATED HOURS	HALOGEN EQUIVALENT
		SPREAD	LUMEN			
L-ED16-COB5W-SP	5	15° Spot	450	2700K	50,000	50 Watt
L-ED16-COB5W-FL	5	38° Flood	450	2700K	50,000	50 Watt
L-ED16-COB5W-WF	5	60° Wide Flood	450	2700K	50,000	50 Watt
L-ED16-COB5W-SP3K	5	15° Spot	470	3000K	50,000	50 Watt
L-ED16-COB5W-FL3K	5	38° Flood	470	3000K	50,000	50 Watt
L-ED16-COB5W-WF3K	5	60° Wide Flood	470	3000K	50,000	50 Watt
L-ED16-3W-SP	3.5	15° Spot	270	2700K	50,000	25 Watt
L-ED16-3W-FL	3.5	45° Flood	270	2700K	50,000	25 Watt
L-ED16-3W-WF	3.5	60° Wide Flood	270	2700K	50,000	25 Watt
L-ED16-5W-SP	5	15° Spot	350	2700K	50,000	40 Watt
L-ED16-5W-FL	5	45° Flood	350	2700K	50,000	40 Watt
L-ED16-5W-WF	5	60° Wide Flood	350	2700K	50,000	40 Watt

For more additional Lamps, and accessories visit Coronalighting.com

JOB INFORMATION

TYPE: _____ DATE: _____

JOB NAME & ADDRESS: _____

PRODUCT #: _____

TOTAL QUANTITY: _____

LAMP TYPE & WATTAGE: _____

TRANSFORMER: _____

CONTRACTOR: _____

SPECIFIER: _____

• When ordering LED lamp with a fixture your part number should follow the format below:

• **CL** - **product #** - **color** - **lamp** - **wattage** - **lamp angle**

CL - 500 - BK - L-ED16 - 5W - FL

Example: CL-500-BK-L-ED16-5W-FL

• Corona Lighting reserves the right to make any change and/or improvement to the design and construction of this fixture without further notification.